

ACCESS B5

The perfect combination of design and usability



Compact and elegant design to reduce barriers and improve integration in the pool.



Adaptable to all types of pools, thanks to its anchoring arm options.



Transportable so that it can be shared between several pools.



Wide swivel angle and total immersion of the seat for easy transfer and access to the chair.

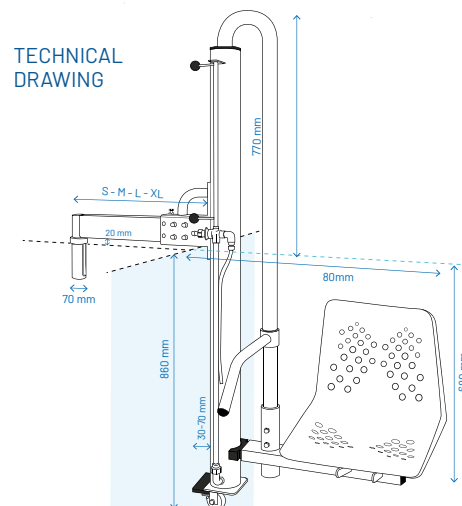
TECHNICAL DATA

Lifting capacity:	150 Kg
Turning angle:	180°
Required pressure:	3,5 a 5 bars
Anchor arm:	200 to 1200 mm
Minimum depth:	850 mm
Material:	Inox 316L & Polypropylene
Lifting/lowering time:	40 / 30 s
Weight:	26 Kg
Dimensions:	1650x850 mm

Anchoring arm options

- S: 200-250 mm
- M: 350-400 mm
- L: 650 a 700 mm
- XL: 1200 mm max.

TECHNICAL DRAWING



Silla en posición dentro del agua

Ideal for all types of aquatic facilities: from public swimming pools to community or private pools.

ACCESS

by **BLAUTEC** SWIMMING POOL ACCESSIBILITY EXPERTS

www.accessiblepool.com

(+34) 93 595 18 36 | access@blautec.com

ACCESSB5



Designed for maximum accessibility and autonomy:



Comfortable and safe transfer with smooth and progressive movement always facing the water.



Total immersion of the seat in the water to allow exiting or accessing it by swimming (avoiding jumps or efforts to the user).



Double lever with smooth turning operation to offer **maximum autonomy to the user in and out of the water.**



Minimal obstacles and an open angle of the seat to facilitate transferring to the seat from outside the water.



With a **stable support bar** that is easily adjustable in height to adapt to the needs of each person.



With **optional accessories** to reinforce safety and adaptability to users.

TECHNICAL ADVANTAGES



Elegant design that blends in with the pool environment.



High lifting capacity up to 150 Kg, certified and approved.



With various anchoring arm sizes available to adapt to all types of pool profiles.



Portable and lightweight to be shared among multiple pools.



Easy installation. Without requiring any work on the pool, with a single recessed anchor, the lift can be installed and moved very easily by any maintenance technician.



Manufactured in our own workshop in Spain with high quality and resistant materials.



Minimum maintenance and maximum guarantees with **technical assistance.**



Compact packaging for **easy transport.**